

## Makes window shades disappear

### Features

- Nino Shades, allows you to easily blend your shade into any window allowing the shade to virtually disappear in the window
- Black and White Cassette color options
- Lithium battery powered shades have soft start/stop technology
- Programmable limits using included remote, or through TROY when connected to a Helen.
- Industry standard light gaps, as small as 3/4", depending on size and configuration
- Group control through RF remote or when connected to a Helen via TROY.
- Sunscreen, Light Filtering and Black-out fabrics available.
- The new Dual protocol motor from Screen Innovation enables seamless programming and control via Zigbee and RF remote controls, offering effortless programming and control.



### Nino Box Specifications

*For illustration purposes only; not a system specification drawing*

### Colors

Available in 2 colors:

- White
- Black

### Shade Types

- Box
- Roll

### Height / Width

Min. width: 16"    Min. height: 22"  
Max. width: 110"    Max. height: 110"

### Methods of Control

Wireless Integration and control

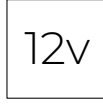
- Zigbee
- RF Remote Control
- SmartThings - App Control
- Screen Innovations Ecosystem via Helen

## Technical Specifications

### Compatible power sources

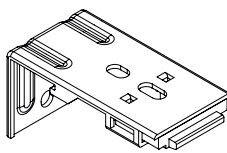
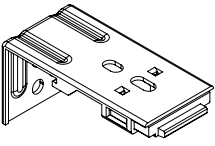


Rechargeable  
Zigbee



12v DC  
Zigbee

### Brackets



Nino Box brackets    Nino Roll brackets

Note: Nino Roll brackets are slightly smaller than Box brackets

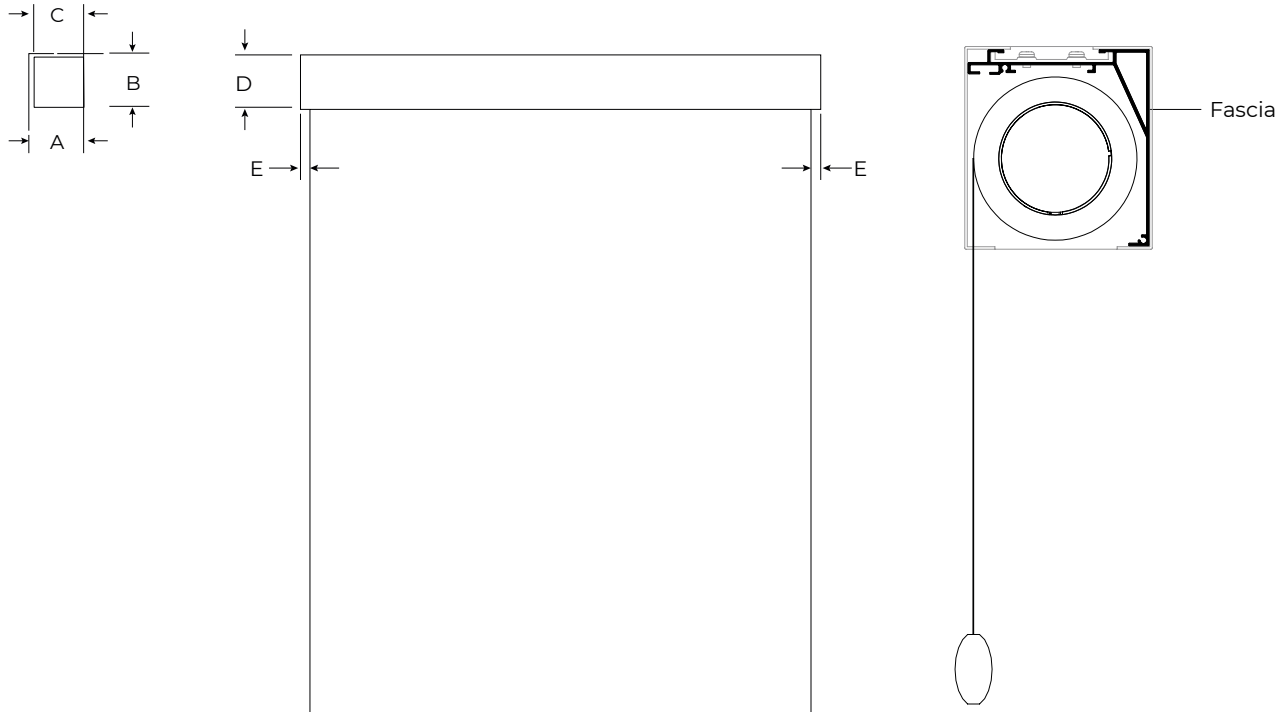
## Flexible Configuration

- Create scenes, groups, and set times via SmartThings or TRO.Y & Helen

## Environment

Operating temperature range is normal ambient (32 to 110 degrees), and humidity levels up to 90%.  
Not meant for wet environments

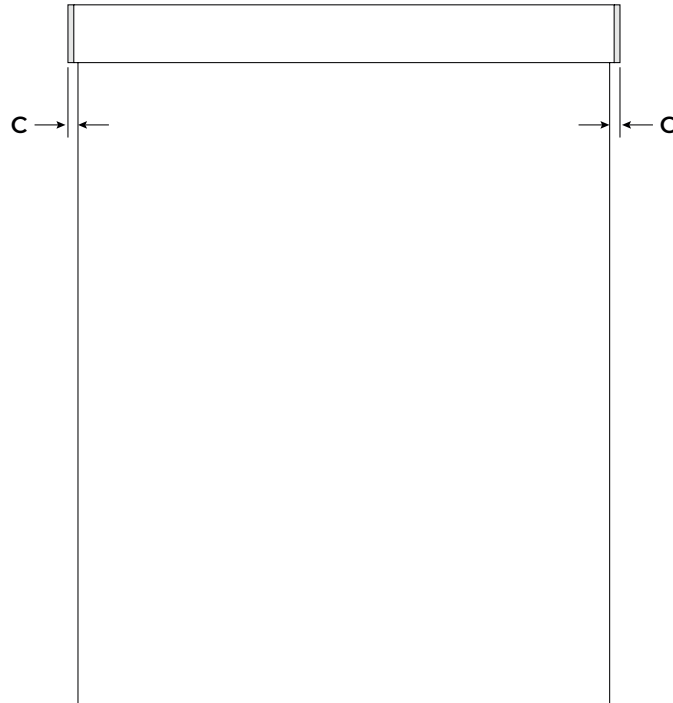
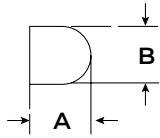
## Nino Box Measurements



Series	Box
Motor	Zigbee Battery
A	3 <sup>9</sup> / <sub>32</sub> " (83.6mm)
B	3 <sup>5</sup> / <sub>16</sub> " (84.1mm)
C	2 <sup>15</sup> / <sub>16</sub> " (74.6mm)
D	3 <sup>3</sup> / <sub>16</sub> " (80.6mm)
E	<sup>9</sup> / <sub>16</sub> " (14.6mm)

\*Minimum shade width is 16" and maximum is 110"

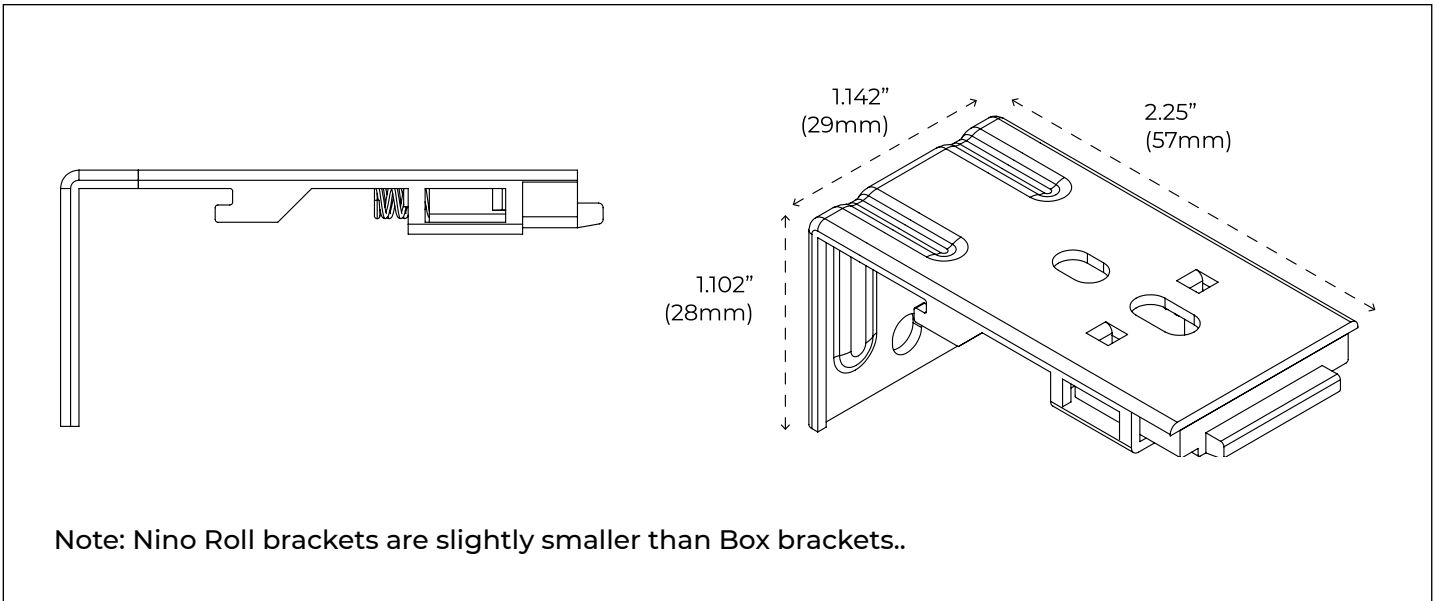
## Nino Roll Measurements



Series	Roll
Motor	Zigbee Battery
A	2 7/8" (71.9mm)
B	1 15/16" (49mm)
C	5/8" (16mm)

\*Minimum shade width is 16" and maximum is 110"

## Nino Roll Bracket



## Nino Box Bracket

